

INSTRUCTION MANUAL

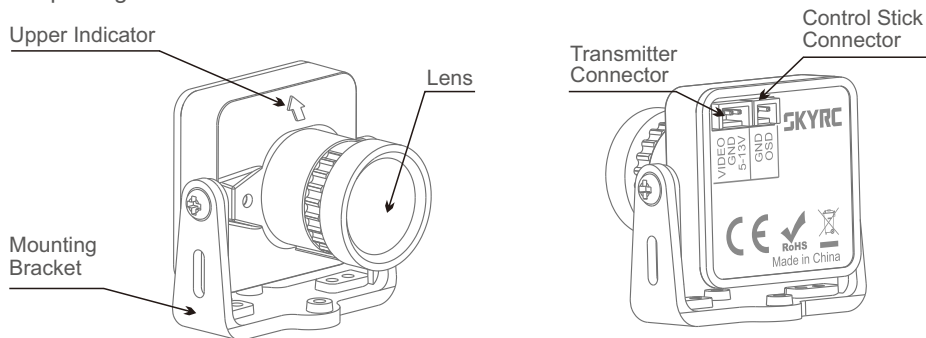
600TVL Camera

SK-600116

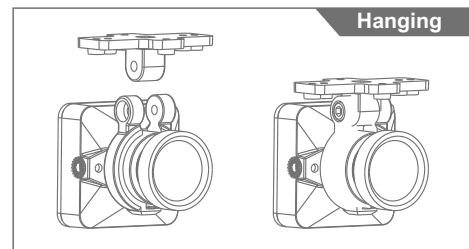
SKYRC

INTRODUCTION

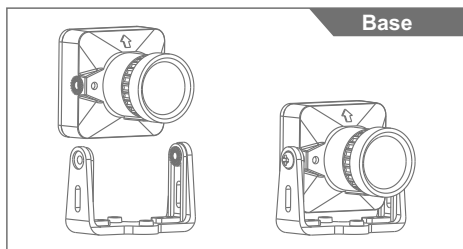
SkyRC 600TVL Camera employs 1/3" SONY SUPER HAD II CCD image sensor to ensure fantastic light handling and high definition. The lightweight plastic casing and bracket are tailored for easy mounting. The lens of the camera is changeable. Besides, it allows users to set the parameters and fine tune personal preferences with a control stick included in the package.



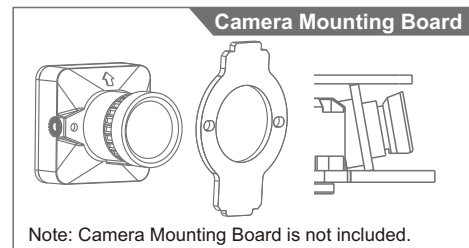
HOW TO FIX



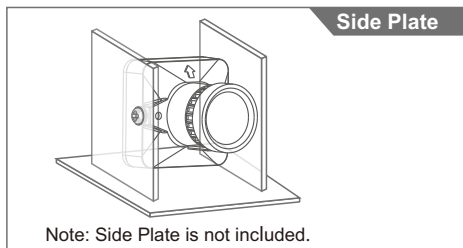
Hanging



Base



Camera Mounting Board

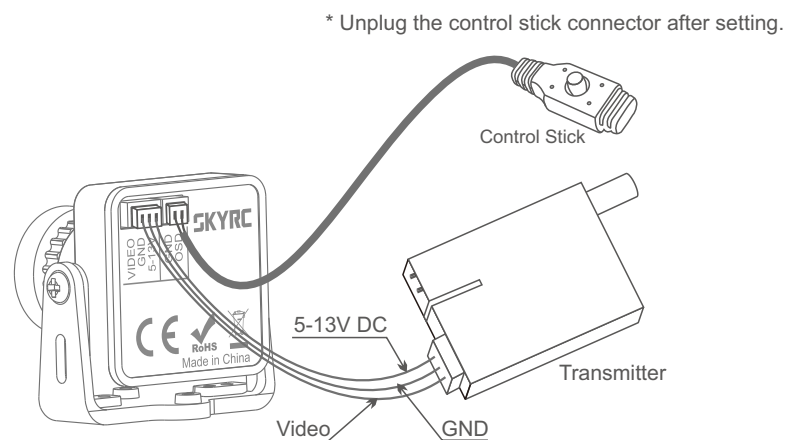


Side Plate

SPECIFICATIONS

Item	SK-600116-01	SK-600116-02
Image Sensor	1/3" SONY SUPER HAD II CCD	1/3" SONY SUPER HAD II CCD
DSP	Nextchip 2090	Nextchip 2090
Effective Pixel Array	752 (H) x 582 (V)	768 (H) x 494 (V)
FOV	115°(Default)	115°(Default)
Signal System	PAL	NTSC
OSD Menu	8 Languages	8 Languages
Horizontal Resolution	600TVL	600TVL
Min. Illumination	0.01Lux	0.01Lux
S/N Ratio	≥60dB	≥60dB
Auto Gain Control	OFF/LOW/MID/HIGH	OFF/LOW/MID/HIGH
White Balance	MANUAL/ AUTO/ AUTO TRACK	MANUAL/ AUTO/ AUTO TRACK
Back Light Compensation	OFF/ BACK LIGHT COMPENSATION/ STRONG LIGHT SUPPRESSION	OFF/ BACK LIGHT COMPENSATION/ STRONG LIGHT SUPPRESSION
Electronic Shutter Speed	1/50-1/100000S	1/60-1/10000S
Working Voltage	DC5V-12V	DC5V-12V
DNR	2D-DNR	2D-DNR
WDR	D-WDR	D-WDR
Day/ Night Shift	Auto/ Color/ B&W	Auto/ Color/ B&W
Size	26.6x26.6x29.8mm	26.6x26.6x29.8mm
Weight	11.3g	11.3g

CONNECTION



SETTING MENU

MAIN MENU

SETUP		
▶ LENS	MANUAL ↵	LENS (MANUAL / VIDEO / DC)
EXPOSURE	↵	EXPOSURE
WHITE BAL.	ATW1	WHITE BAL. (ATW1 / MANUAL / ANTI.CRL / AWC SET / ATW2)
BACKLIGHT	OFF	BACKLIGHT (OFF / BLC / HLC)
DAY&LIGHT	COLOR	DAY&LIGHT (COLOR / AUTO / B/W / EXT)
DPC	↵	DPC
SPECIAL	↵	SPECIAL
EXIT	SAVE	EXIT (SAVE / NOT SAVE / RESET)
MANUAL. LENS		
▶ BRIGHTNESS	050	BRIGHTNESS (0-255)
RETURN	RET ↵	RETURN (SAVE&END / RET)
EXPOSURE		
▶ SHUTTER	AUTO	SHUTTER (AUTO / 1/100000 / 1/10000 / 1/5000 / 1/4000 / 1/2000 / 1/1000 / 1/500 / 1/250 / FLK / 1/50)
AGC	MIDDLE	AGC (MIDDLE / LOW / OFF / HIGH)
DWDR	OFF	DWDR (OFF / ON)
RETURN	RET ↵	RETURN (SAVE&END / RET)
DPC		
▶ START	↵	START
DPC VIEW	OFF	DPC VIEW (OFF / ON)
LS VALUE	015	LS VALUE (0-63)
DIFF.	015	DIFF. (0-63)
AREA HS	050	AREA HS (001-255)
AREA HE	050	AREA HE (001-255)
AREA VS	050	AREA VS (001-255)
AREA VE	050	AREA VE (001-255)
RETURN	RET ↵	RETURN (SAVE&END / RET)
SPECIAL		
▶ CAM TITLE	OFF	CAM TITLE (OFF / ON)
MOTION	OFF	MOTION (OFF / ON)
PRIVACY	OFF	PRIVACY (OFF / ON)
PARK. LINE	OFF	PARK. LINE (OFF / ON)
IMAGE ADJ.	↵	IMAGE ADJ.
COMM ADJ.	↵	COMM ADJ.
LANGUAGE	ENGLISH	LANGUAGE (ENGLISH / 中文 / El español / русский / Português / Français / 日本語 / Deutsch)
VERSION	12 11 05	
RETURN	RET ↵	RETURN (SAVE&END / RET)

IMAGE ADJ.

▶ LENS SHAD.	OFF	LENS SHAD. (OFF / ON)
2DNR	ON ↵	2DNR (OFF / ON)
MIRROR	OFF	MIRROR (OFF / ON)
FONT COLOR	↵	FONT COLOR
CONTRAST	050	CONTRAST (000-255)
SHARPNESS	005	SHARPNESS (0-31)
DISPLAY	CRT ↵	DISPLAY (CRT / LCD / USER)
NEG. IMAGE	OFF	NEG. IMAGE (OFF / ON)
RETURN	RET ↵	RETURN (SAVE&END / RET)

IMAGE ADJ.

▶ FONT	003	FONT (0-15)
ID & TITLE	005	ID & TITLE (0-15)
RETURN	RET ↵	RETURN (SAVE&END / RET)

COMM ADJ.

▶ CAM ID	001	CAM ID (000-255)
BAUD RATE	9600	BAUD RATE (2400 / 4800 / 9600 / 19200 / 38400 / 57600)
PROTOCOL	PELCO-D	PROTOCOL (PELCO-D / PELCO-P / NEXTCHIP)
DISPLAY ID	OFF	DISPLAY ID (OFF / ON)
ID POS	↵	ID POS
RETURN	RET ↵	RETURN (SAVE&END / RET)

WARRANTY AND SERVICE

We guarantee this product to be free of manufacturing and assembly defects for a period of one year from the time of purchase. The warranty only applies to material or operational defects, which are present at the time of purchase. During that period, we will repair or replace free of service charge for products deemed defective due to those causes.

This warranty is not valid for any damage or subsequent damage arising as a result of misuse, modification or as a result of failure to observe the procedures outlined in this manual.

Note:

1. The warranty service is valid in China only.
2. If you need warranty service overseas, please contact your dealer in the first instance, who is responsible for processing guarantee claims overseas. Due to high shipping cost, complicated custom clearance procedures to send back to China. Please understand SkyRC can't provide warranty service to overseas end user directly.
3. If you have any questions which are not mentioned in the manual, please feel free to send email to info@skyrc.cn



Manufactured by
SKYRC TECHNOLOGY CO., LTD.
www.skyrc.com 7504-0856-01